

**PRODUCT DATASHEET****50VA CHASSIS MOUNTED TRANSFORMER**

Designed, manufactured and tested in accordance with;

**BS3535, EN60742\*, EN61558\*, EN60950**

CE Marked

Single 230V or Dual 115V primaries

Comprehensive choice of secondary voltages

Flame retardant bobbins and shrouds

Fully shrouded construction

Weight	0.98	Kg
Typical Regulation	10	%
Frequency	50/60	Hz
Max Ambient	25	°C
Bobbin Material	UL94-V0 Class "B" 130°C	

\* requires additional over-current / over-temperature protection.

Please see sheet 2 for part numbers.

Dagnall Electronics Ltd  
Tel : +44 (0)117 230 2240  
[sales@dagnall.co.uk](mailto:sales@dagnall.co.uk)  
[www.dagnall.co.uk](http://www.dagnall.co.uk)

TRX Electronics Ltd  
Tel : (00356)21 663011  
[info@trxelectronics.com](mailto:info@trxelectronics.com)  
[www.trxelectronics.com](http://www.trxelectronics.com)

## Part Numbers

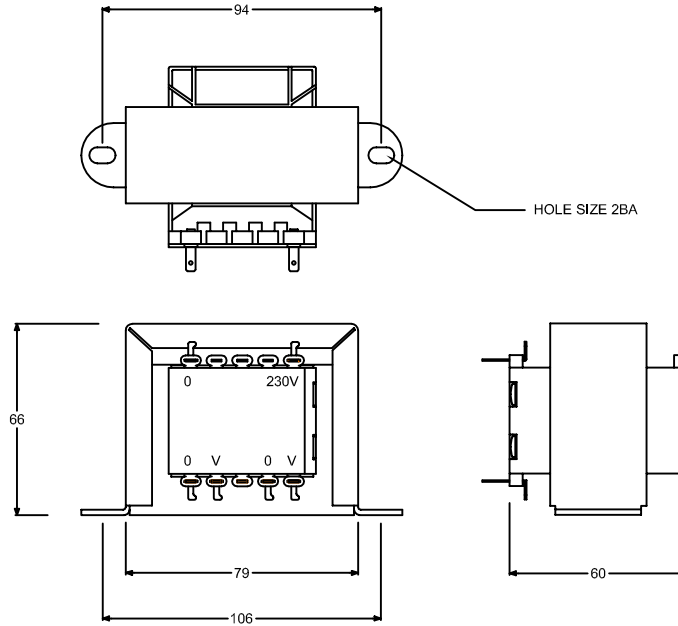
Part No	Primary	Secondary	Recommended Secondary Fuse
D3048	230V	6+6V	4AT
D3049	230V	9+9V	2.5AT
D3050	230V	12+12V	2AT
D3051	230V	15+15V	1.6AT
D3052	115+115V	6+6V	4AT
D3053	115+115V	9+9V	2.5AT
D3054	115+115V	12+12V	2AT
D3055	115+115V	15+15V	1.6AT

Please see sheets 3 for dimensions and pin outs.

# PRODUCT DATASHEET

## 50VA CHASSIS MOUNTED TRANSFORMER

Outline Drawing 230V Version



Outline Drawing Dual 115V Version

